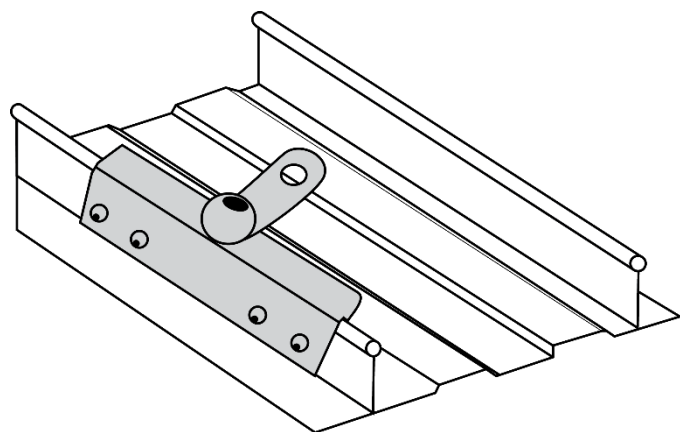




TECHNICAL SHEET FA 60 034 00

Aluminium Anchor for Standing Seam Roof



Aluminium anchor for standing seam roof

- Roof top anchor device is designed to be fixed on metal standing seams. The U-profile allows installation on a multitude of different seams.
- The 360° swivel anchorage eye on the top provides universal connection for the fall arrest system.
- Easy to install (provided with 6 grub screws), it is the ideal anchorage point on standing seam roofs near areas where there is a risk of falling, for instance near skydomes.

Compliance: EN 795:2012 Type A.

- **Static strength** > 12 kN.
- **Minimum breaking strength:** 25 kN.

Material of components :

Aluminium

	Weight: 0.83 kg
--	---------------------------

KRATOS SAFETY

689 Chemin du Buclay
38540 Heyrieux – FRANCE

Tel : +33 (0)4 72 48 78 27
Fax : +33 (0)4 72 48 58 32

www.kratossafety.com / info@kratossafety.com

HS CODE

CARTON SIZE / PCS.

40 x 30 x 24 cm / 10

Test report n°160752

DOLOMITICERT SCARL, N°2008

Zona Industriale Villanova
32013 Longarone (BL), Italia

MODULE D GB07/73551

SGS United Kingdom Ltd., N°0120

Unit 202B, Worle Parkway,
Weston-super-Mare, BS22 6WA, United Kingdom